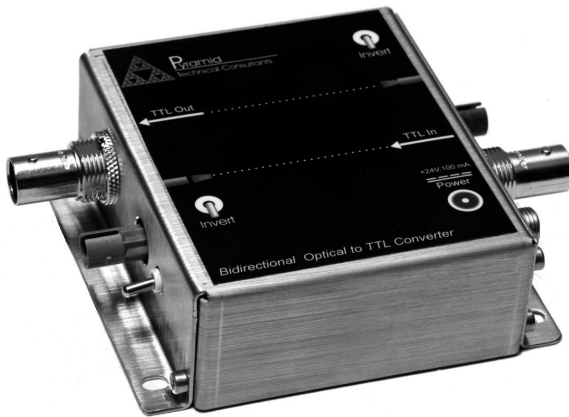


Bi-directional Optical to TTL Converter



Features

- Converts fiber-optic signals to TTL, and TTL to fiber-optic
- Selectable polarity
- Compact package

Applications

- Trigger and logic level signal delivery in distributed systems
- General-purpose signal conversion

Specifications

Fiber-optic input	Avago HFBR-2515, 640 nm light (red)
TTL output	TTL levels into 50 ohms. Polarity switch-selectable to be the same or inverted relative to the fiber-optic input.
TTL input	TTL levels, input impedance high (> 1 Mohm) or 50 ohm, internal jumper selectable.
Fiber optic output	Avago HFBR 1515, 640 nm light (red). Polarity switch-selectable to be the same or inverted relative to the TTL input.
Propagation delay	<= 50 nsec optical to TTL <= 50 nsec TTL to optical
Power input	+24 +/- VDC, 100 mA max. Fused 1.1 A.
Polarity switches	Independent toggle switches for optical to TTL, and TTL to optical.
Case	Stainless steel sheet with mounting flange, IP43.
Weight	0.20 kg (0.44 lb)



Specifications (continued)

Operating environment	10 to 35C, < 80% humidity, non-condensing, vibration < 1g all axes, 1 to 100Hz
Storage environment	0 to 50C, < 80% humidity, non-condensing, vibration < 2g all axes, 1 to 100Hz

Connectors

Fiber optics	ST bayonet, dark gray (receiver), light gray (transmitter)
TTL	BNC jacks 50 ohm, two. Signal on core.
24 VDC input	2.1 mm threaded jack. Mate with Switchcraft S761K or equivalent. Pin: +24 VDC; Shell: 0V
Ground	Case grounded via mounting flange

Ordering information

X22	Bi-directional Optical to TTL converter
MTG-DIN35-7662	DIN rail mounting adaptor

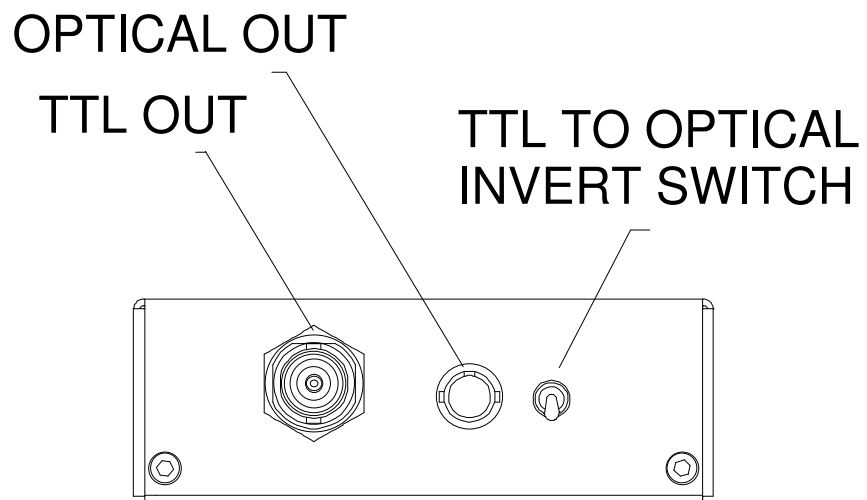
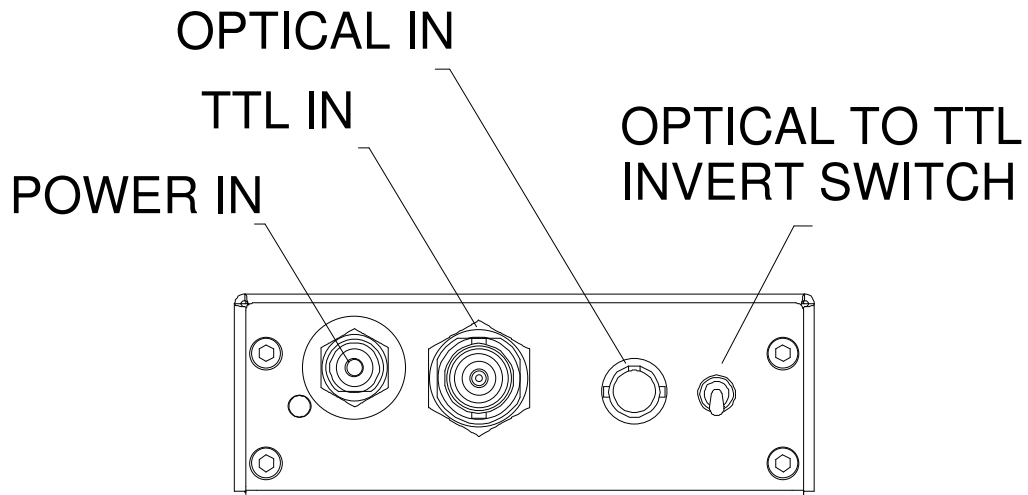
Pyramid Technical Consultants, Inc.,
1050 Waltham Street Suite 200
Lexington MA 02421 USA
Tel: +1 781 402 1700 (USA),
+44 1273 492001 (UK)
Email: support@ptcusa.com

www.ptcusa.com

The information herein is believed accurate at time of publication, but no specific warranty is given regarding its use. All specifications are subject to change. Trademarks and copyright acknowledged.

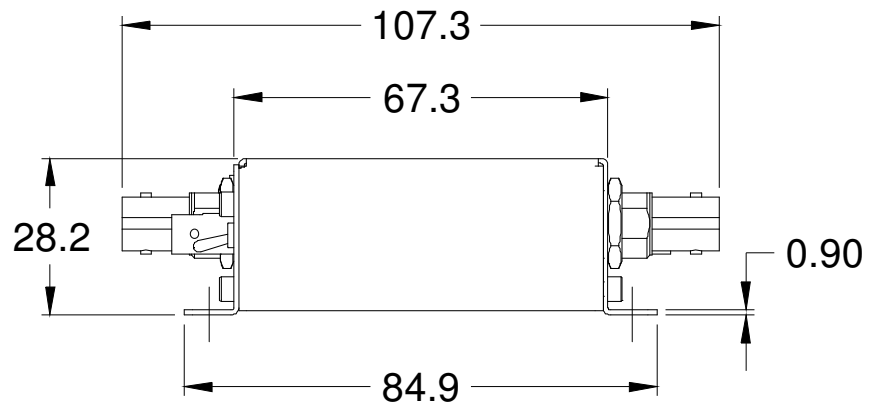
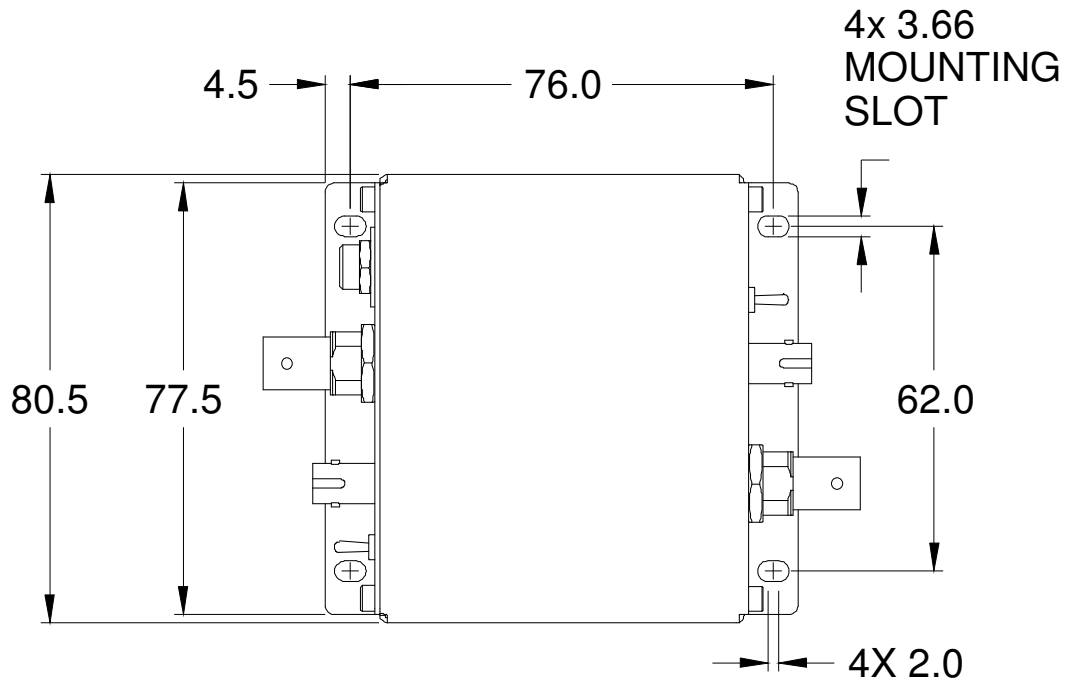
X22_DS_130225





Dims mm





Dims mm

