

**Integrated Charge-Sensitive Pre-amplifier
and Gaussian Shaping Amplifier**

Features

- Integration, shaping and optional baseline restoration in a single compact unit
- Clean Gaussian pulse output suitable for pulse height analysis
- Based on proven MIT / Cremat circuitry
- AC-coupled with 3 kV standoff
- Configurable for positive or negative going detector pulses
- Adjustable gain
- Compatible with C400 fast pulse counting system



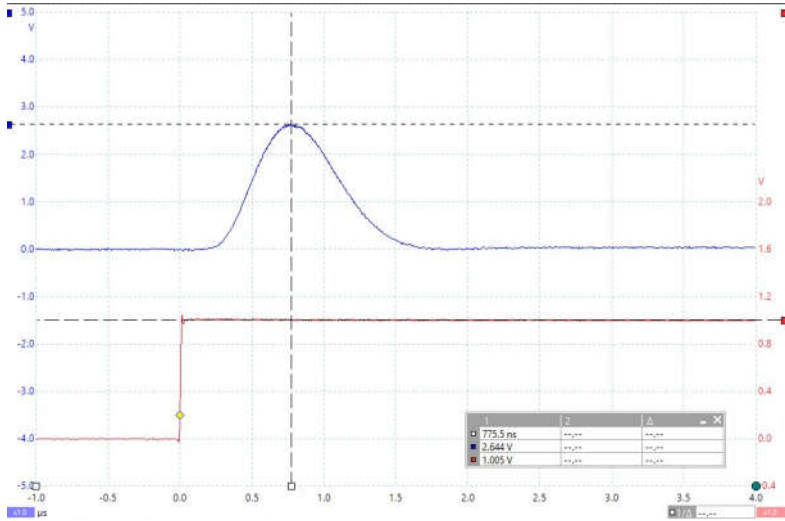
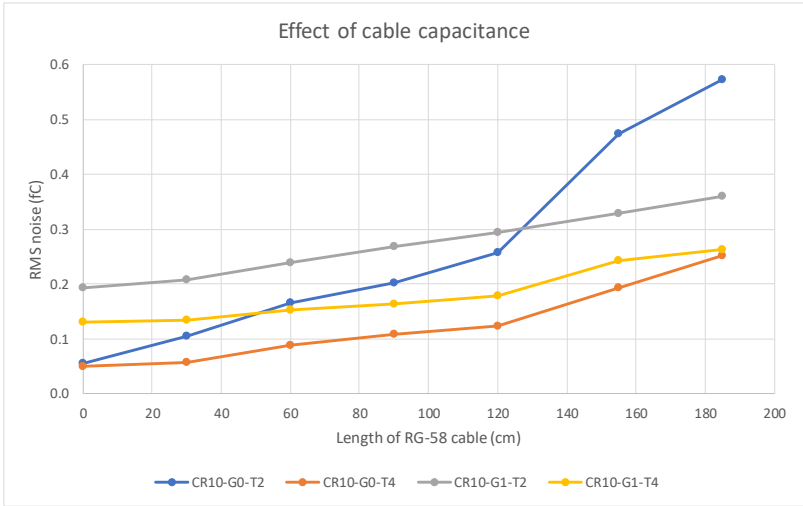
Applications	<ul style="list-style-type: none"> • Readout of proportional counters, scintillators and solid-state detectors for counting and spectroscopy applications • General detector pulse processing
Options	<ul style="list-style-type: none"> • Choice of pre-amplifier stage conversion gain • Choice of shaping time constant • Baseline restoration module option for high count rates • Choice of signal input connector type

Specifications (CR10-G1-T2-BR configuration)

Cremat modules fitted	CR111 preamplifier CR200-250ns shaping amplifier CR210 baseline restorer
Input stage	0.13 V pC ⁻¹ nominal conversion gain, 3 nsec rise, 150 µsec fall
Overall gain (typical)	2.5 V pC ⁻¹ driving 50 ohms Example: 2.64 V output amplitude for 1 V step applied to test input (1 pC nominal charge injected), x10 coarse gain, fine gain control at 50%.)
Output noise	Unloaded: < 0.5 mV RMS, < 3.5 mV peak to peak into 50 ohms DC to 5 MHz(x10 coarse gain, fine gain control at 50%) Equivalent noise charge < 0.3 fC RMS See graph for capacitive loading slope
Maximum output amplitude	2.7 V into 50 ohms, 5.4 V into high impedance
Maximum output cable length	Able to drive >= 10 metre RG-58, RG-174 or RG-316 cable



Specifications (continued, CR10-G1-T2-BR configuration unless stated)

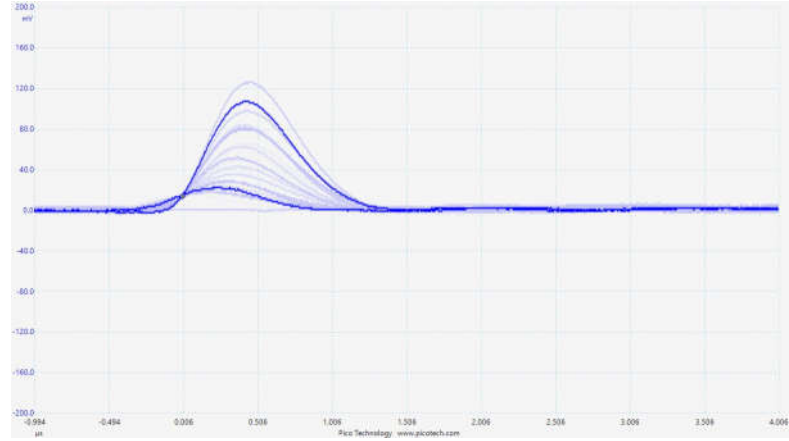
Test input	47 ohm terminated, 1 pF
Response to test input	<p>1.0 V step into test input (pole zero adjusted as necessary) x10 coarse gain, fine gain control at 50%</p> 
Noise slopes (typical)	<p>Loaded with RG-58 coaxial cable at 90 pF m-1 Various configurations as indicated. DC to 5 MHz.</p> 



Specifications (continued, CR10-G1-T2-BR configuration)

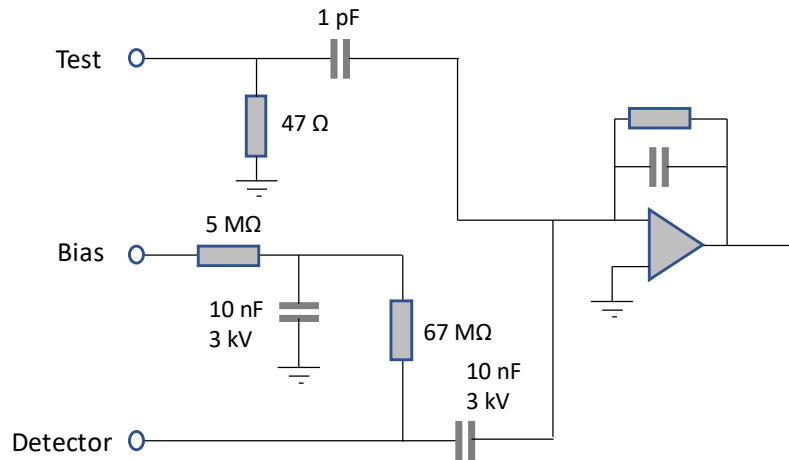
Detector response (typical)

Signals from polycrystalline diamond sensor, Am-241 source. x10 coarse gain, 75% fine gain.



HV bias

Bias applied to detector input via 3 kV decoupling and filter capacitors. High resistance blocks signal loss to bias circuit.



Note: For bias voltage above 500 V, the SHV detector connector option should be selected.



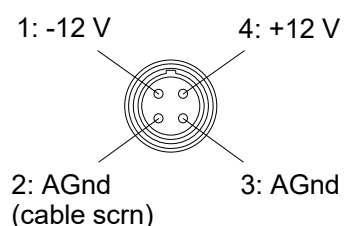
Datasheet

CR10

Specifications (continued)

Power input	+12V (+2/-4 V) DC, 50 mA and -12V (+4/-2 V), 50 mA Power on indicator red LED
Case	Stainless steel with mounting flange
Weight	0.29 kg (0.63 lb)
Operating environment	10 to 35 C (15 to 25 C recommended to reduce drift and offset) , < 70% humidity, non-condensing, vibration < 0.1g all axes (1 to 100 Hz)
Shipping and storage environment	-10 to 50 C, < 80% humidity, non-condensing, vibration < 1g all axes, 1 to 100 Hz

Connectors

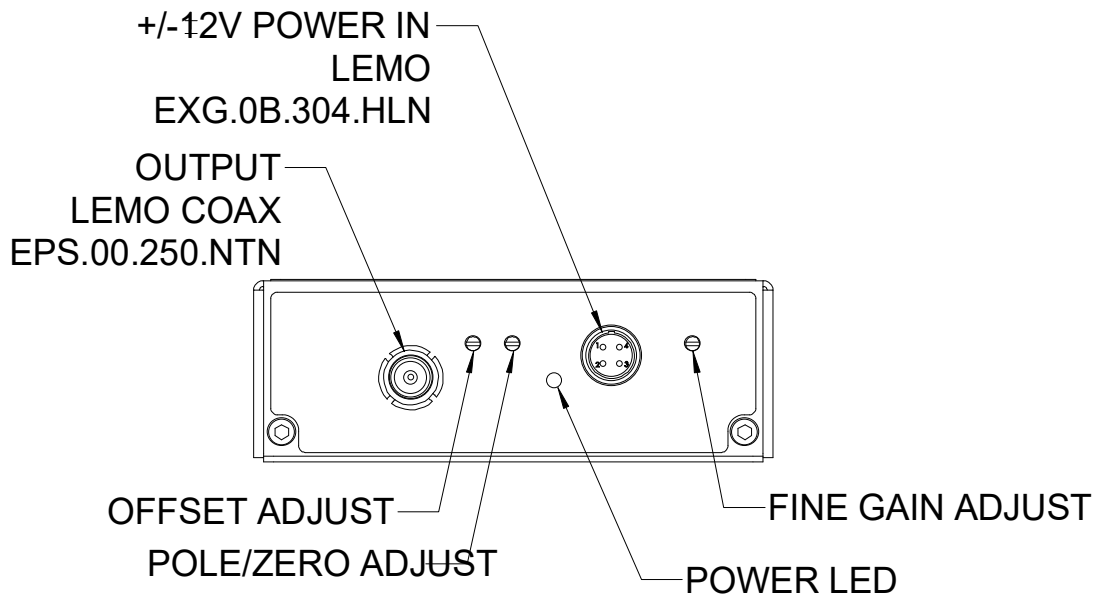
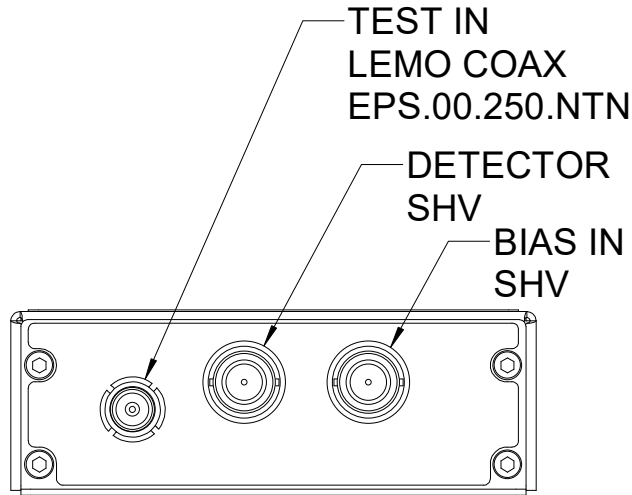
Signal input options	SHV (required for bias voltages over 500 V) BNC Lemo 0B.302 (detector pin 1, AGnd pin 2)
Bias HV input options	SHV (required for bias voltages over 500 V) BNC
Test signal input	Lemo coaxial size 00
Power input	Lemo 0B four-pin female (mating cable connector FGG.0B.304) <div style="display: flex; justify-content: space-around; align-items: center;"> <div style="text-align: center;"> <p>(view on CR10 connector / solder side of mating cable connector)</p> </div> <div style="text-align: center;">  </div> </div>
Signal output	Lemo coaxial size 00

Controls

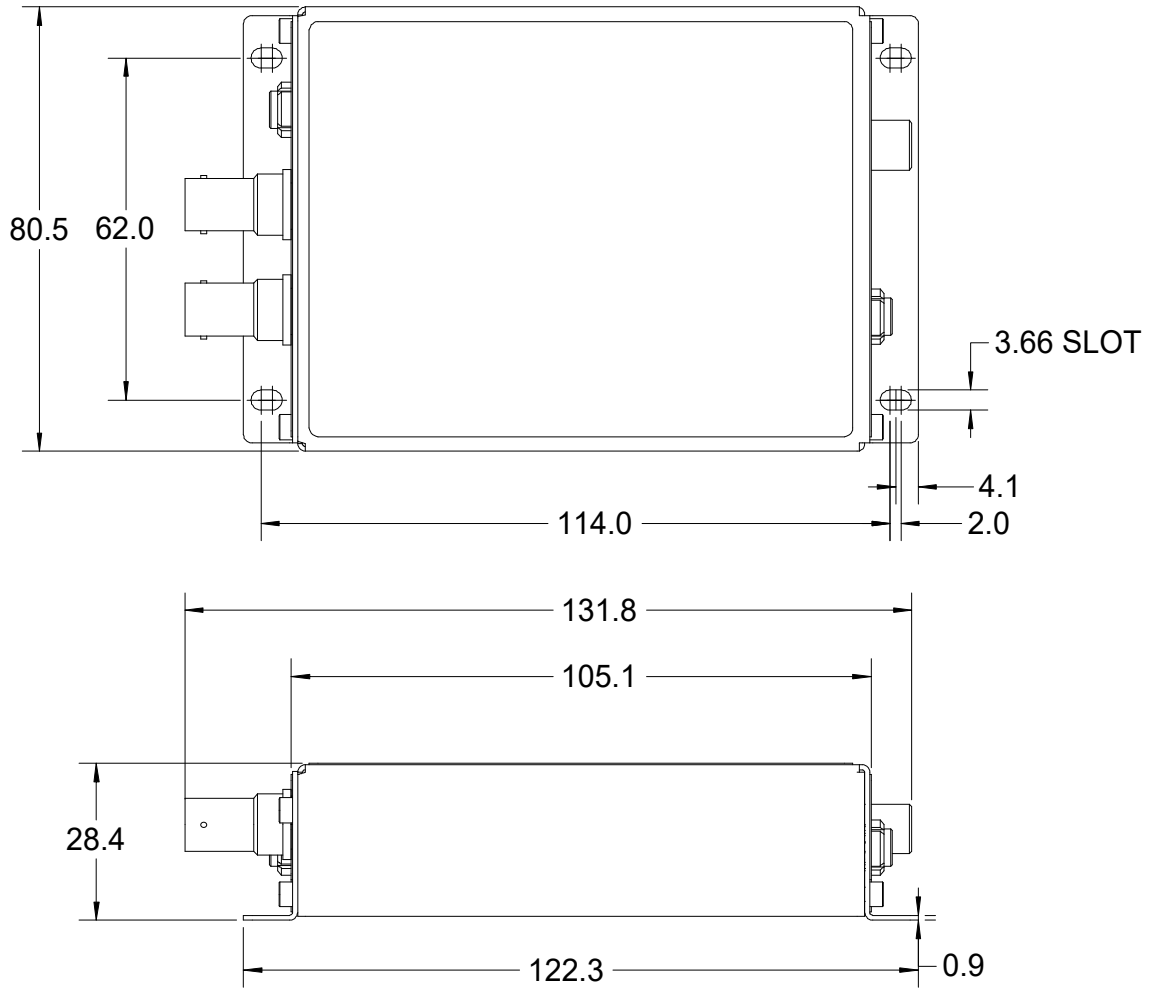
Potentiometers	Output offset adjust, 21-turn potentiometer Pole-zero adjust, 25-turn potentiometer Nominal setting for CR-111 is 175 kohm (1-2). Fine gain, 21-turn potentiometer
Internal jumpers	JPR 1: BL - fit if CR-210 baseline restorer not installed JPR 2: POL - fit jumper for positive going detector pulses G#1 - fit for 10x intermediate stage gain G#2 - fit for 10x intermediate gain (G#1 plus G#2 for 100x)



Layout and Dimensions - End faces (-SHV/SHV connector option)



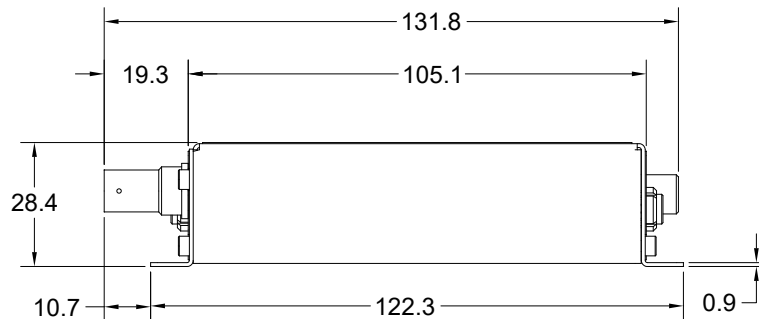
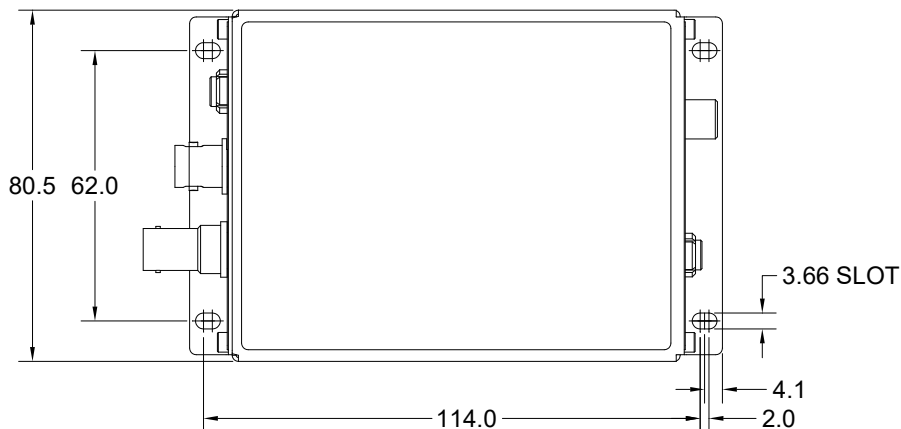
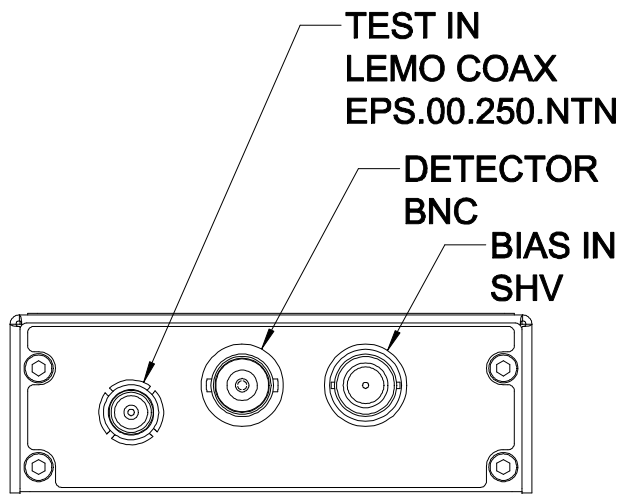
Layout and Dimensions - plan and side elevation (-SHV/SHV connector option)



Dims mm



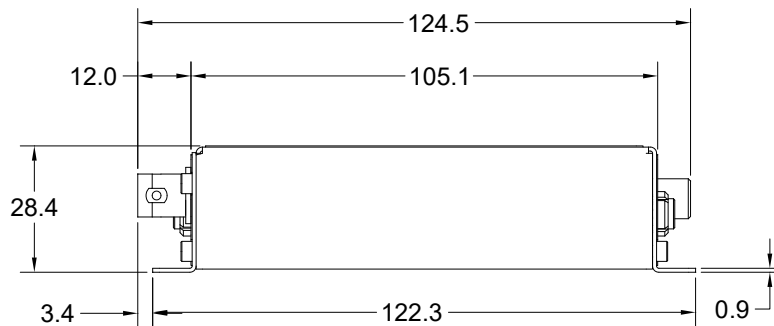
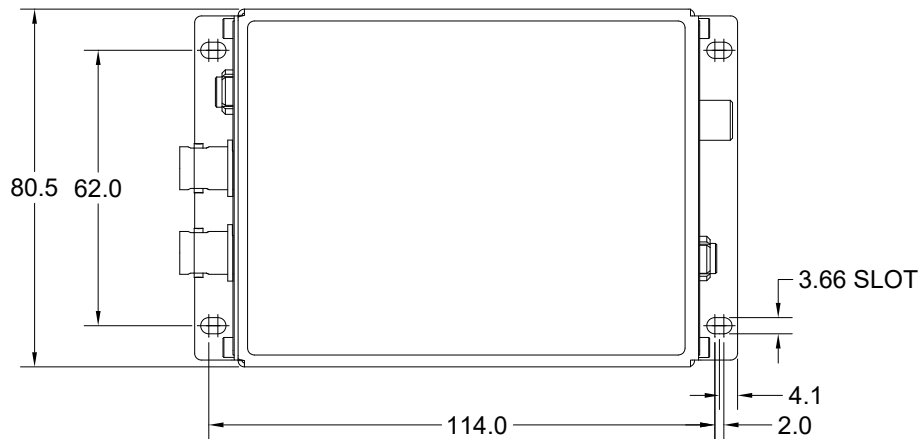
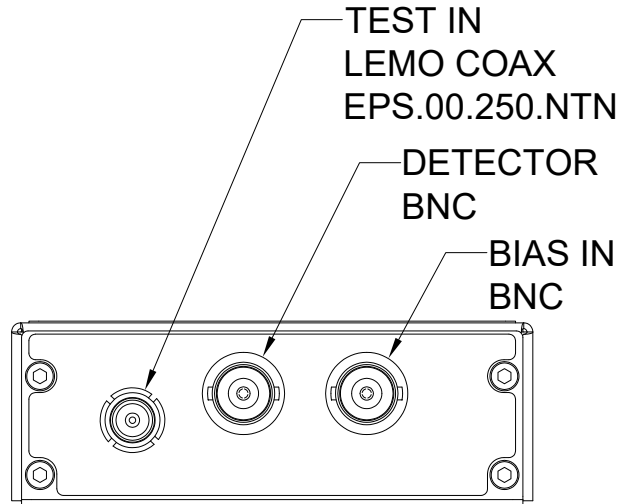
Connector option (-BNC/SHV)



Dims mm



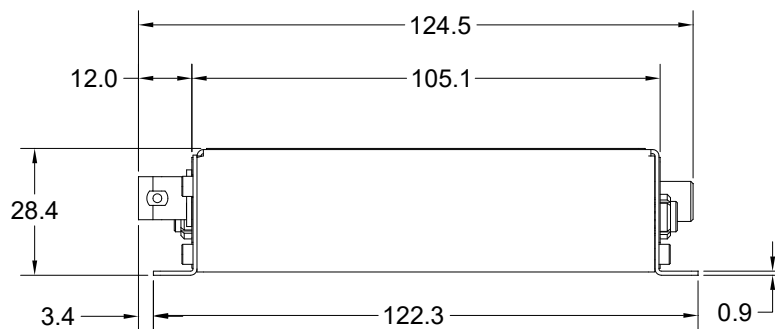
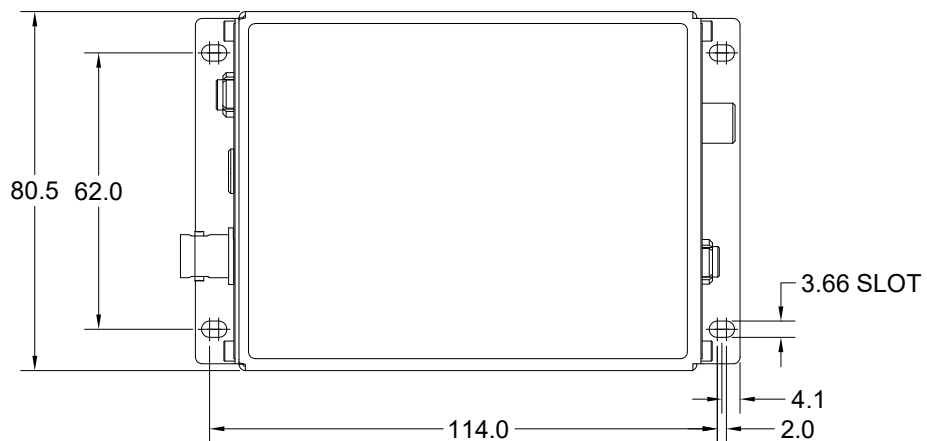
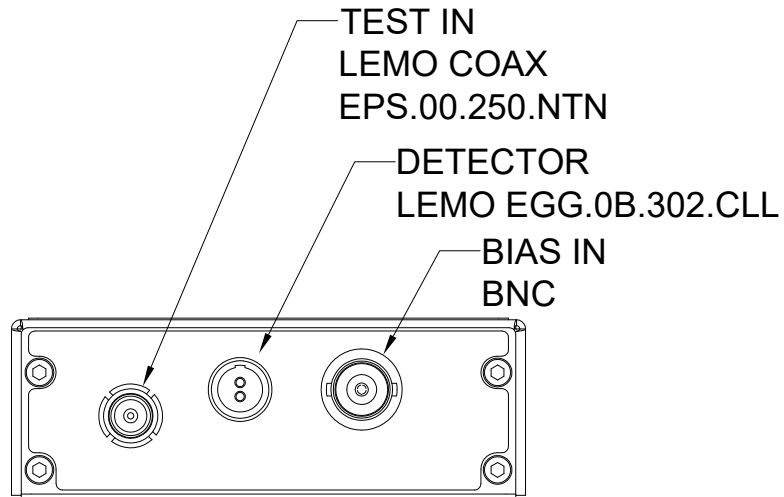
Connector option (-BNC/BNC)



Dims mm



Connector option (-LEM/BNC)



Dims mm



Datasheet

CR10

Ordering information

CR10	Integrated pre-amplifier / shaping amplifier system.
-GN	Choose input stage conversion gain: N=0 1400 mV pC ⁻¹ (CR-110) N=1 130 mV pC ⁻¹ (CR-111) N=2 13 mV pC ⁻¹ (CR-112) N=3 1.3 mV pC ⁻¹ (CR-113)
-TN	Choose shaping amplifier stage time constant: N=0 50 ns (CR-200-50ns) N=1 100 ns (CR-200-100ns) N=2 250 ns (CR-200-250ns) N=3 500 ns (CR-200-500ns) N=4 1000 ns (CR-200-1µs) N=5 2000 ns (CR-200-2µs) N=6 4000 ns (CR-200-4µs)
-BR	Add baseline restorer option (recommended for higher rate applications)
-SHV/SHV -BNC/SHV -BNC/BNC -LEM/BNC	Choose SHV connectors for signal / bias Choose BNC connector for signal / SHV for bias Choose BNC connectors for signal / bias Choose Lemo 0B.302 connector for signal / BNC for bias
Example:	CR10-G1-T2-BR-BNC/SHV CR10 with 130 mV pC ⁻¹ input conversion gain, 250 nsec shaping time constant, baseline restorer, BNC detector connector and SHV bias connector.
Other configuration options	Consult supplier for changes to series current limiting resistance (default 0 ohm) and bias voltage feed resistance (default 67 Mohm).
Build time pre-set requests:	The following can be pre-set for the customer at time of manufacture: <ul style="list-style-type: none"> • Intermediate gain jumpers G1, G2: none fitted = x1 / G1 fitted = x10 (default) / G1&G2 fitted = x100 • Signal polarity jumper POL: not fitted = overall inverting to suit negative signal pulses (default) fitted = overall non-inverting to suit positive signal pulses • Fine gain setting (specify pin 1-2 resistance) 25 to 925 ohm • Pole zero setting (specify pin 1-2 resistance) 10 ohm to 200 kohm

Related products

C400	Four channel pulse detector controller (fast window discriminators and scalers, supplies HV bias and pre-amp power).
PSU1212-1L PSU1212-1N PSU1212-1C	24 VDC to +/-12 VDC converter with output connector options: -1L : Lemo 0B.304 -1N / -1C : DSub 9 pin female NIM / C400 pinout

Pyramid Technical Consultants, Inc.,
 1050 Waltham Street Suite 200
 Lexington MA 02421 USA
 Tel: +1 781 402 1700 (USA),
 +44 1273 492001(UK)

Email: support@ptcusa.com

www.ptcusa.com

The information herein is believed accurate at time of publication, but no specific warranty is given regarding its use. All specifications are subject to change.

All trademarks and names acknowledged.
 CR10_DS_200518

Controls and Diagnostics



Pyramid Technical Consultants